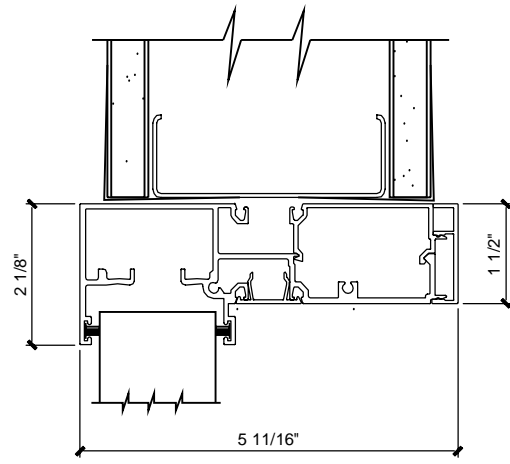
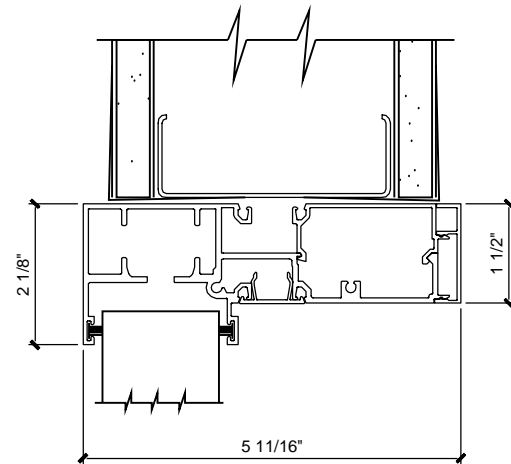


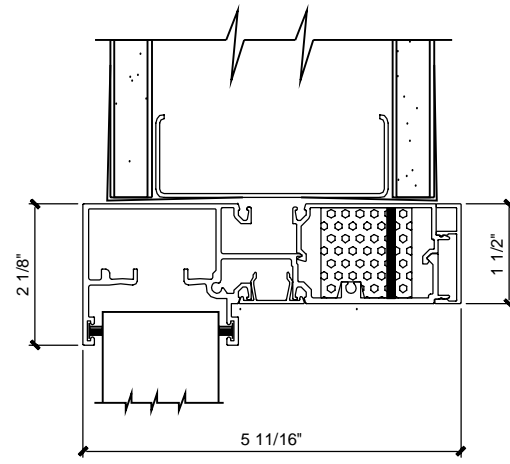
 **VERSAGGLIDE**TM
BY WALTERS & WOLF



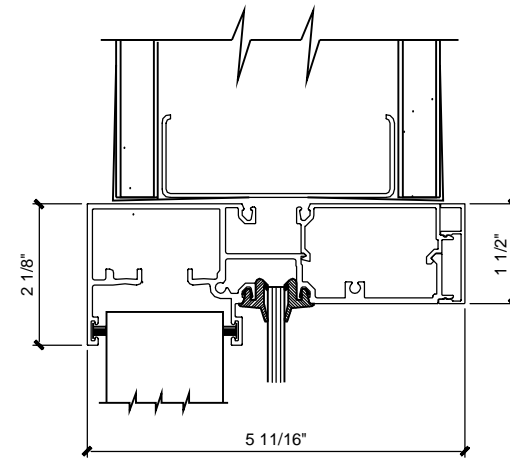
1 DOOR TRACK HEADER



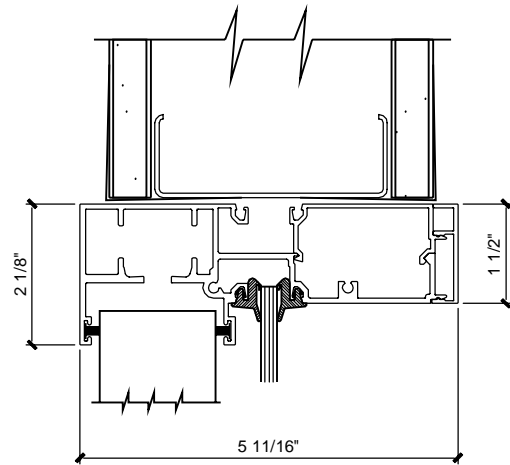
1A SOFTCLOSE DOOR TRACK HEADER



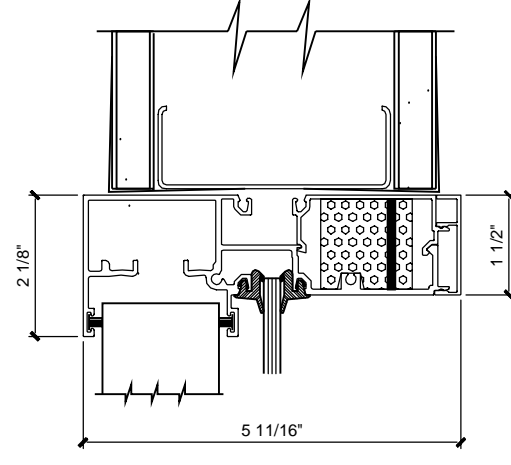
1B DOOR TRACK HEADER WITH ACOUSTIC BATTING



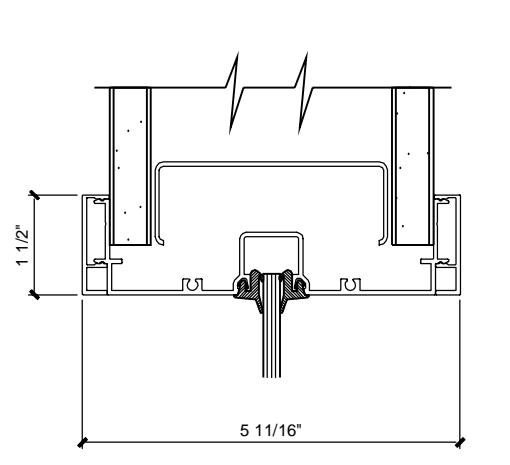
2 GLAZING TRACK HEADER



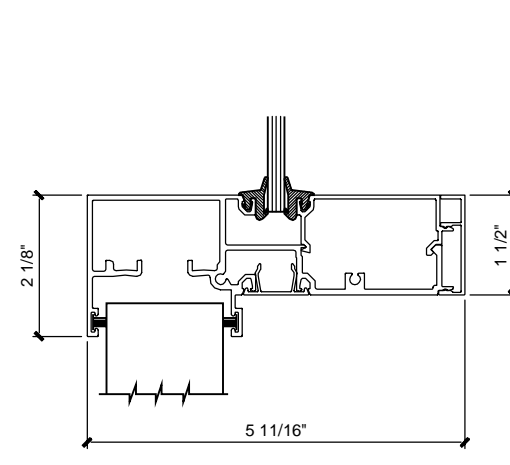
2A SOFTCLOSE GLAZING TRACK HEADER



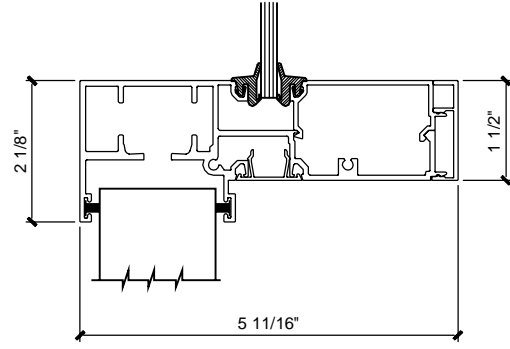
2B GLAZING TRACK HEADER WITH ACOUSTIC BATTING



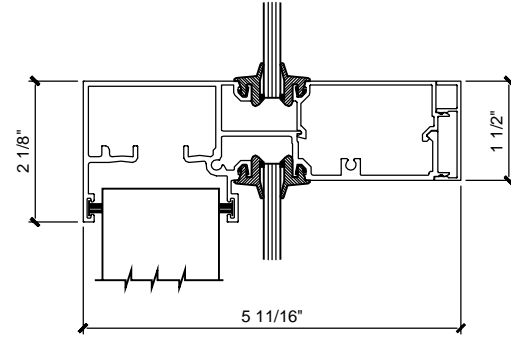
3 GLAZING HEADER



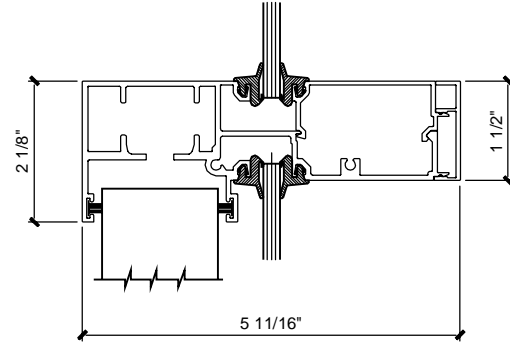
4 DOOR TRACK CLERESTORY



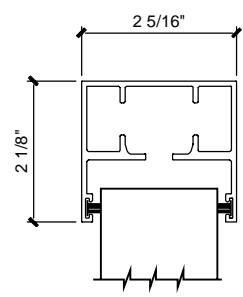
4A SOFTCLOSE DOOR TRACK CLERESTORY



5 GLAZING TRACK CLERESTORY



5A SOFTCLOSE GLAZING TRACK CLERESTORY



5A SOFTCLOSE SINGLE TRACK

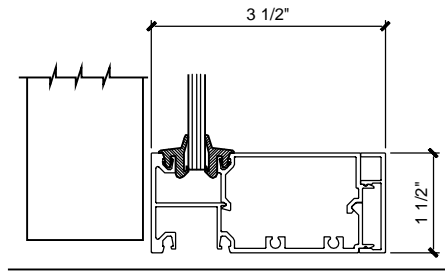
Date: 6/8/2020
 Drawn: SG
 Scale:

Job #:
 Sheet:

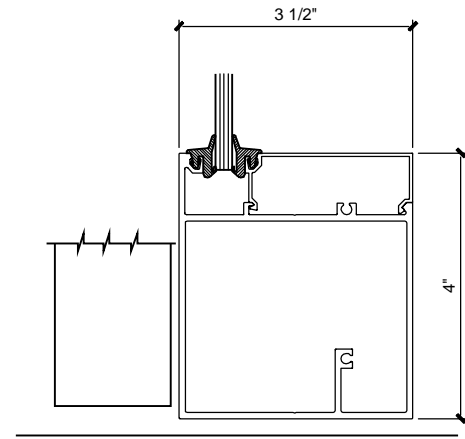
WALTERS AND WOLF
 VERSAGLIDE DETAILS

REVISION	BY	DATE

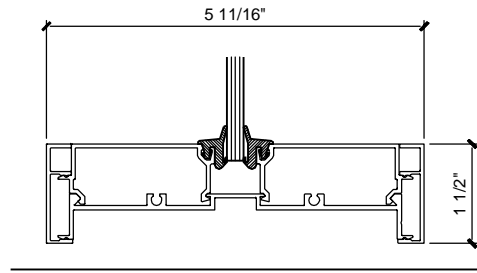
VERSAGLIDE FRAME
 DETAILS
 Walters & Wolf Interiors
 2050 Boscwell Rd.
 Fremont, CA 94538
 (510) 490-1115
 VERSAGLIDE
 WALTERS & WOLF



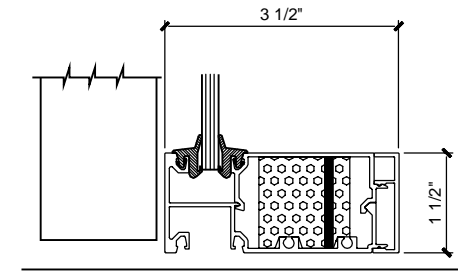
6 1 1/2" HALF SILL



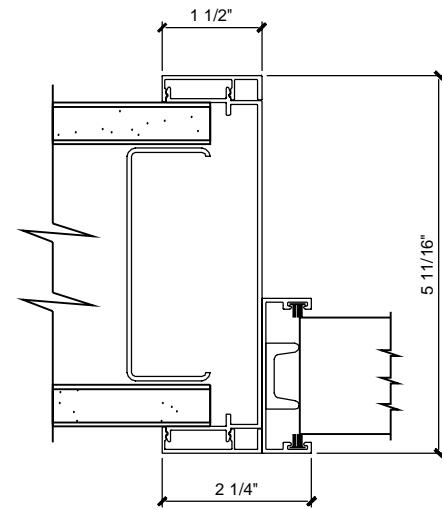
6A 4" HALF SILL



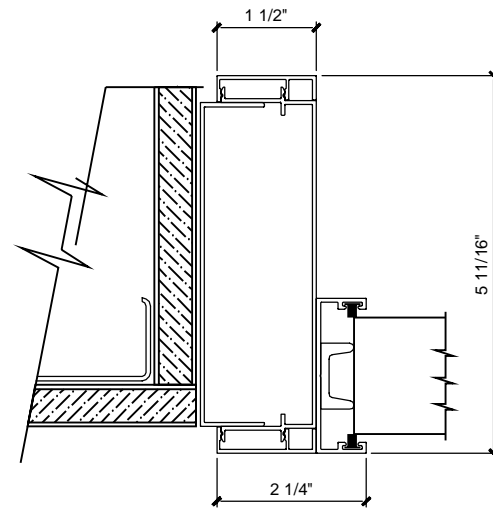
6B FULL SILL



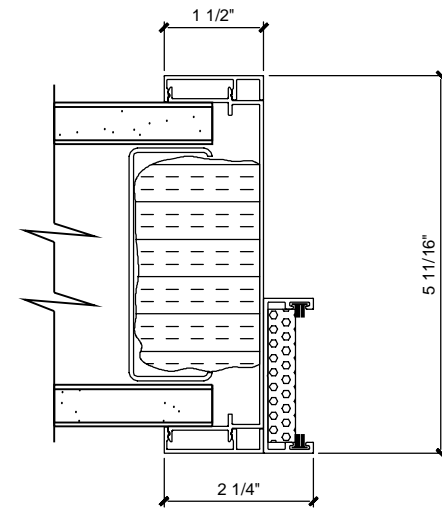
6C 1 1/2" HALF SILL WITH ACOUSTIC BATTING



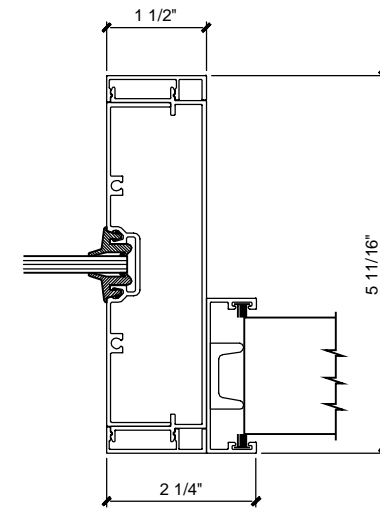
7 STRIKE JAMB



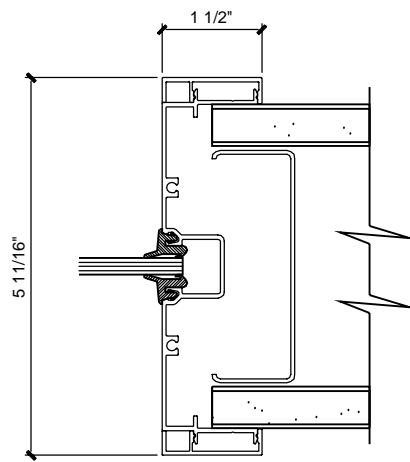
7A STRIKE JAMB WITH WALL START



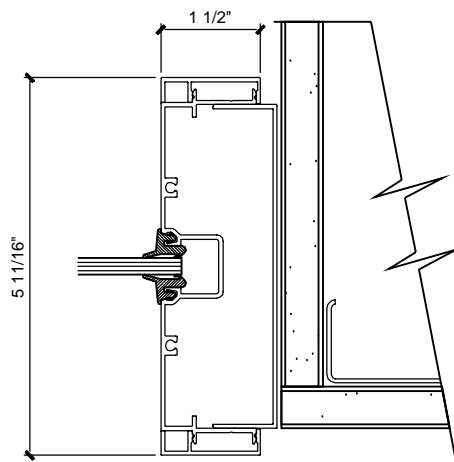
7B STRIKE JAMB WITH ACOUSTIC BATTING



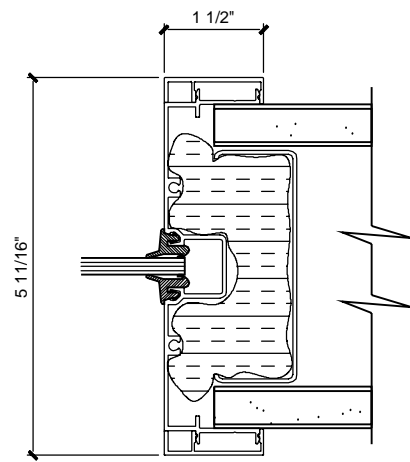
7C STRIKE MULLION



8 GLAZING JAMB WITH WALL START



8A GLAZING JAMB



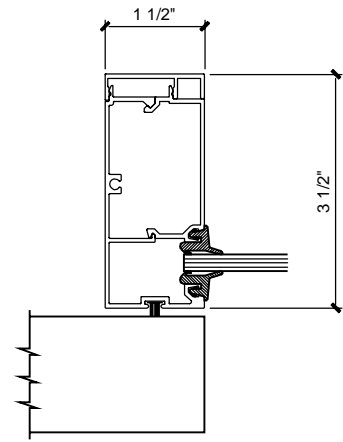
8B GLAZING JAMB WITH ACOUSTIC BATTING

Date: 6/8/2020
 Drawn: SG
 Scale:

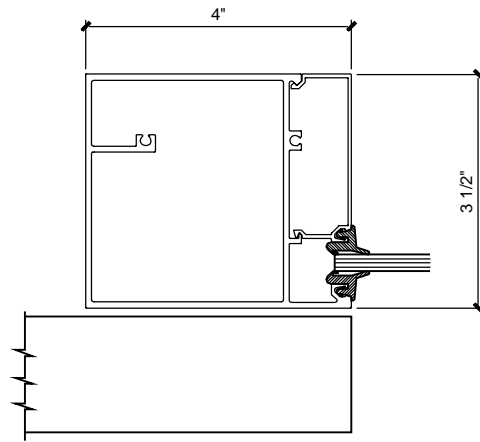
WALTERS AND WOLF
 VERSAGLIDE DETAILS

REVISION	BY	DATE

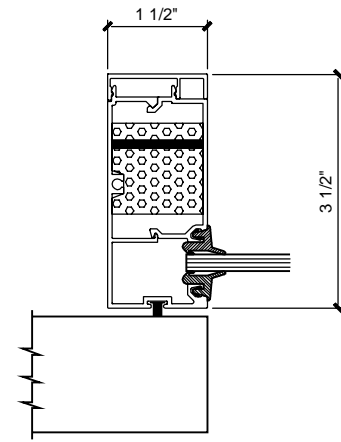
VERSAGLIDE FRAME
 DETAILS
Walters & Wolf Interiors
 6050 Boscwell Rd.
 Fremont, CA. 94538
 (510) 490-1115
VERSAGLIDE
 BY WALTERS & WOLF



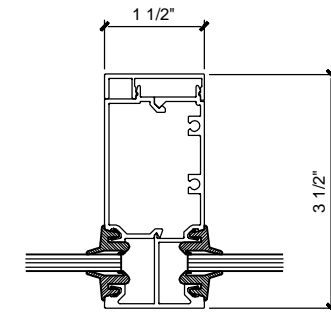
9 1 1/2" CENTER POST



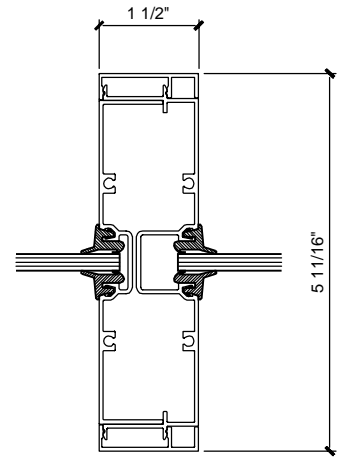
9A 4" CENTER POST



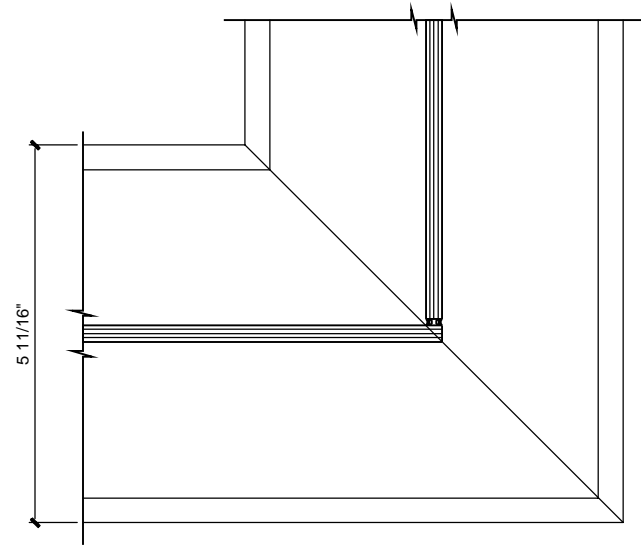
9B 1 1/2" CENTER POST WITH ACOUSTIC BATTING



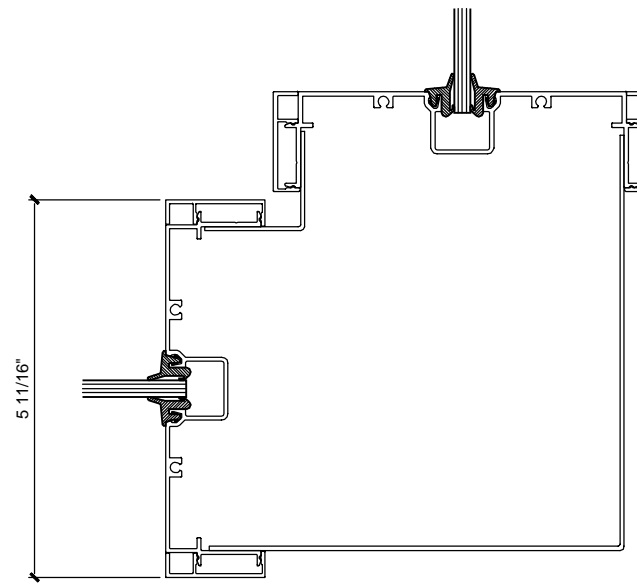
10 HALF GLAZING MULLION



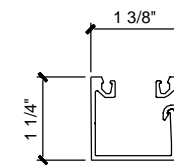
10A FULL GLAZING MULLION



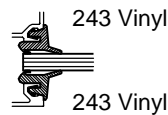
11 90° MITERED CORNER



11A 90° ALUMINUM CORNER

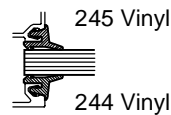


12 2 PIECE U-CHANNEL



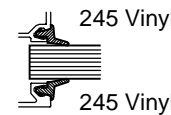
1/4" GLAZING

13A 1/4" GLAZING WITH VINYL



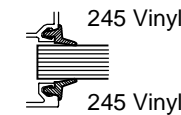
3/8" GLAZING

13B 3/8" GLAZING WITH VINYL



1/2" GLAZING

13C 1/2" GLAZING WITH VINYL



9/16" GLAZING

13D 9/16" GLAZING WITH VINYL

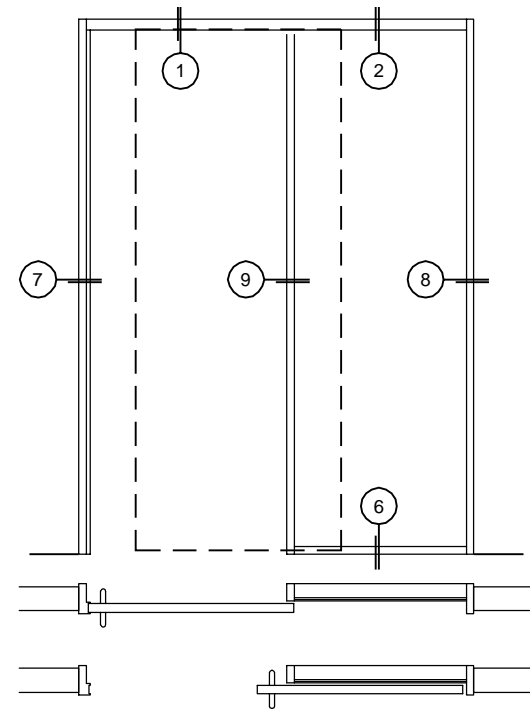
Date: 6/8/2020
 Drawn: SG
 Scale:

WALTERS AND WOLF
 VERSAGLIDE DETAILS

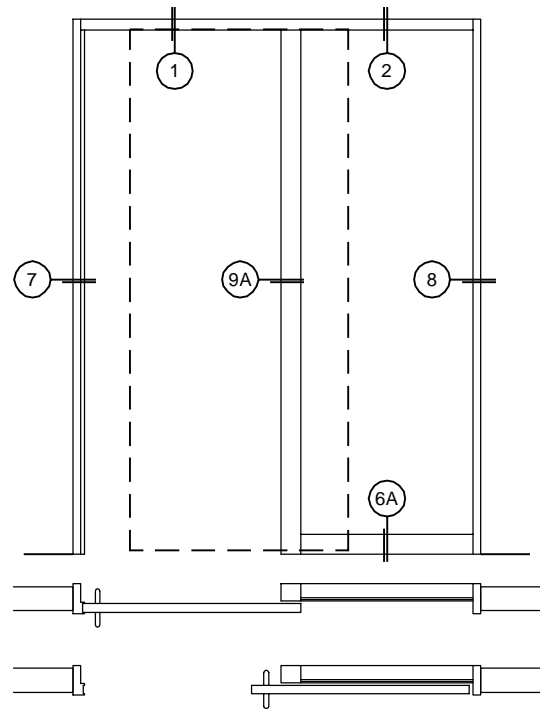
REVISION	BY	DATE

VERSAGLIDE FRAME
 DETAILS

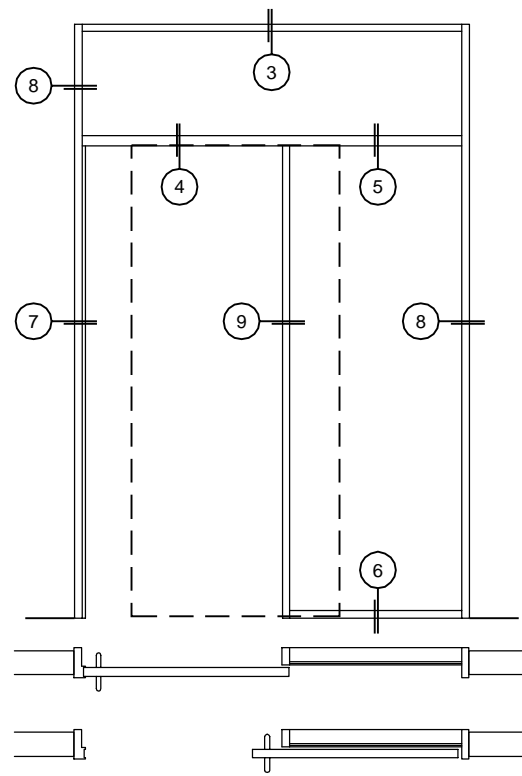
 1450 Boscell Rd.
 Fremont, CA. 94538
 (510) 490-1115
 VERSAGLIDE
 WALTERS & WOLF



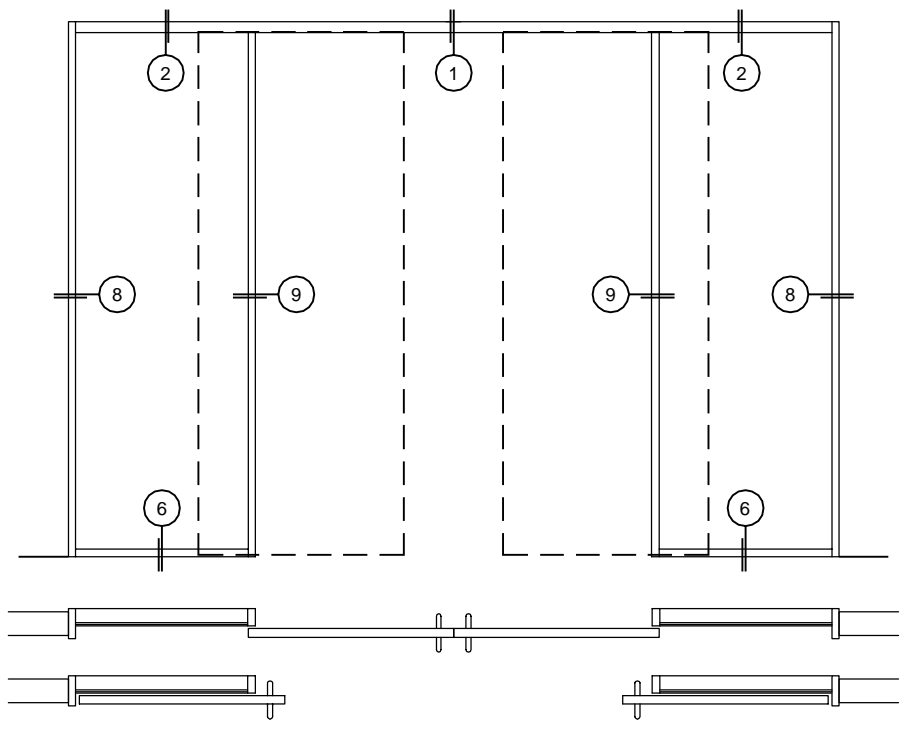
STANDARD ELEVATION



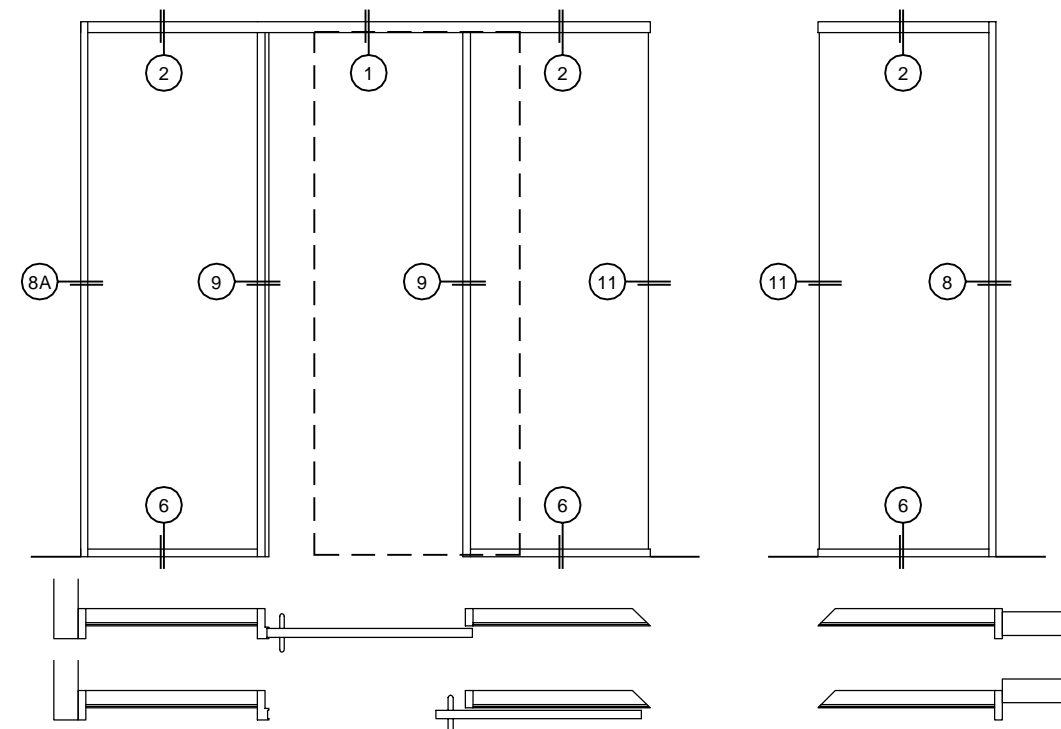
STANDARD ELEVATION
WITH 4" CENTER POST & 4" SILL
(CAN BE USED INDEPENDENTLY)



CLERESTORY



BIPARTING ELEVATION



90° CORNER UNIT
(CORNER POST AVAILABLE)

Job #: _____
Date: 6/8/2020
Drawn: SG
Scale: _____
Sheet: _____

WALTERS AND WOLF
VERSAGLIDE DETAILS

REVISION	BY	DATE

VERSAGLIDE FRAME
ELEVATIONS

Walters & Wolf Interiors
14450 Boscell Rd.
Fremont, CA. 94538
(510) 490-1115

VERSAGLIDE
BY WALTERS & WOLF